

## SPECIFICATIONS

### GENERAL

Supply Voltage	DC 12V. Negative Ground
Current Consumption	Max. 7A
Power Output	4 X 7Watts.
Number of channels	2 STEREO channels.
Unit Dimensions	178[W] X 154[D] X 50[H] mm.

### FM SECTION

Frequency range	88MHz -108MHz
Effective sensitivity	10uV.
I.F Frequency	10.7MHz.

### AM SECTION

Frequency range	530KHz - 1710KHz
-----------------	------------------

### RCA LINE OUT

Output	CD Max. 800mV.
--------	----------------

### CD PLAYER

System	Compact Disc Audio System.
Suitable CDs	CD, CD-R, CD-RW Disc.
Frequency characteristics	40Hz-100Hz ≤ 5dB 10KHz-20KHz ≤ 5dB.
S/N Ratio to CD	60dB [1KHz]

Specifications subject to change, without notification.

### IMPORTANT INFORMATION REQUIRED BY THE FCC

This device complies with Part 15 of the FCC Rules. Operation is subject to the following two conditions: (1) this device may not cause harmful interference; and (2) this device must accept any interference received, including interference that may cause undesirable operation.

NOTE: This equipment has been tested and found to comply with the limits for a Class B digital device, pursuant to Part 15 of the FCC Rules. These limits are designed to provide reasonable protection against harmful interference in a residential installation.

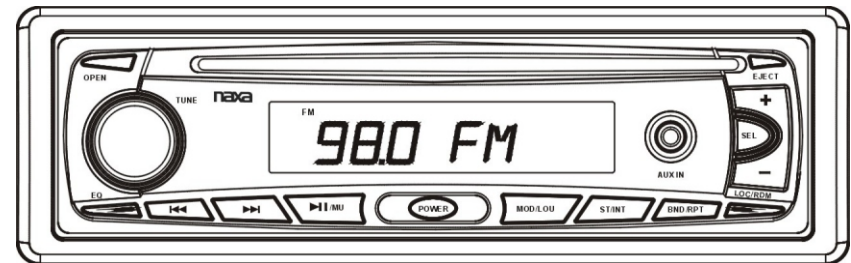
This equipment generates, uses and can radiate radio frequency energy and, if not installed and used in accordance with the instructions, may cause harmful interference to radio reception, which can be determined by turning the equipment off and on. The user is encouraged to try to correct the interference by one or more of the following measures:

- \* Reorient or relocate the receiving antenna.
- \* Increase the separation between the equipment and receiver.
- \* Connect the equipment into an outlet on a circuit different from that to which the receiver is connected.
- \* Consult the dealer or an experienced radio/TV technician for help.

# naxa

MODEL: NCA-670

## INSTRUCTION MANUAL



**Detachable Stereo AM/FM Car Radio With  
Compact Disc Player & Aux-In Jack**

## Preface

Thank you for purchasing this car audio product.

Please read this manual carefully before operating this car audio product.

Please keep this manual for future use. It will be helpful to you if you encounter any operational problem.

Selecting fine audio equipment is only the start of your musical enjoyment. Now it is time to consider how to maximize the enjoyment you will get from knowing how to work your new car stereo receiver.

We hope you enjoy using this product and encourage you to always listen at a moderate, safe sound level to avoid any possible hearing damage or loss. If you listen to excessively loud sound over time, your hearing can adapt to higher volumes and what sounds "normal" to you may be quite harmful and can cause you to have permanent hearing loss. So please practice "safe sound" and always listen at moderate sound levels only.

Start with your volume control at the lowest setting, and slowly increase the level until you can hear it comfortably and clearly, free from distortion. Once you have established this comfortable sound level, leave it there.

### WARNING!

To reduce the risk of fire or electric shock, do not use the unit in the rain or moisture environment.

To prevent direct exposure to laser beam, do not try open the enclosure. Visible and invisible laser radiation when open and interlocks defeated.

To protect our environment, do not dispose of electrical equipment in the domestic waste. Please return any electrical equipment that you will no longer use to the collection points provided for their disposal.

This helps avoid the potential effects of incorrect disposal on the environment and human health. This will contribute to the recycling and other forms of reutilization of electrical and electronic equipment. Information concerning where the equipment can be disposed of can be obtained from your local authority.

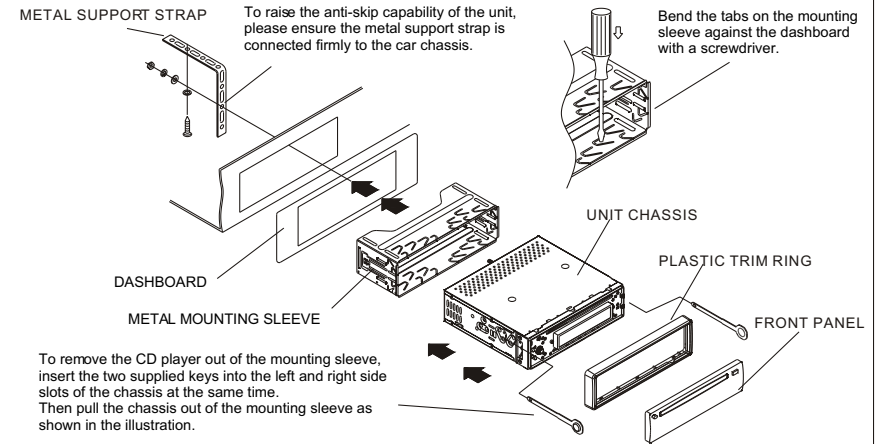
## INSTALLATION

### INSTALLATION METHOD

This is an anti-theft installation method.

The main unit wears a METAL MOUNTING SLEEVE.

Please connect the wiring, eg, the Power supply, the Speakers and the Antenna according to the requirements of this Instruction Manual, then install the metal mounting sleeve into the car as per the diagram illustrated below.

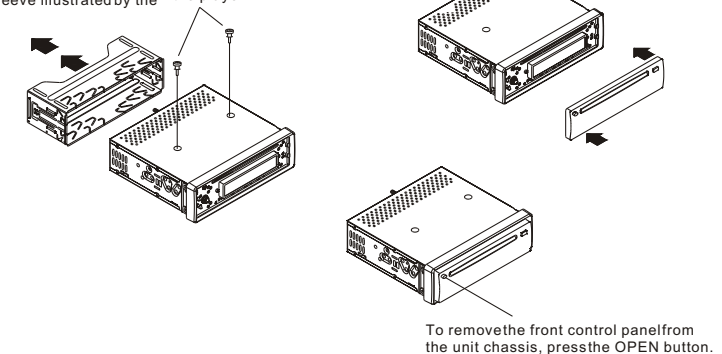


### NOTE

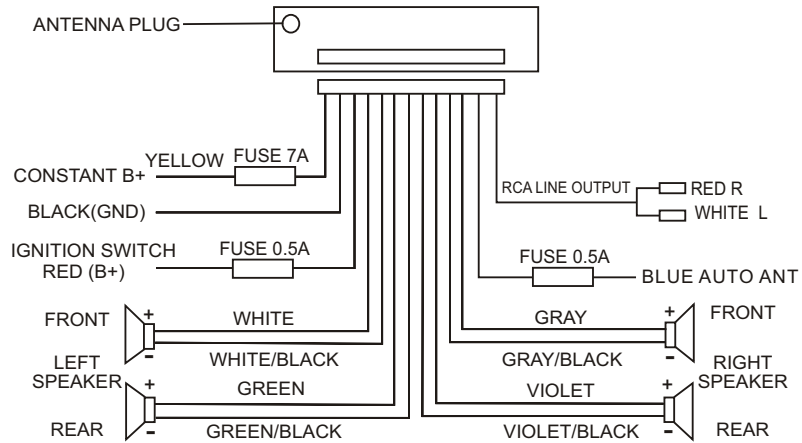
Before installing and operating the CD player, remove the metal mounting sleeve illustrated by the arrows.

Remove the two screws that protect the CD player during transportation before operating the player.

To attach the removable faceplate, insert the right side of the faceplate into the right of the CD player chassis first. Then push the left side of the faceplate into the chassis until you hear it "click".



## WIRING DIAGRAM



Note:

1. Make sure you use a speaker with 4 ohm load impedance
2. Make sure the auto antenna wire (Blue) does NOT come into contact with the vehicle chassis.

### CAUTION:

In order to protect power IC from being burnt out during installation the car stereo, it is necessary to follow the steps below to connect the wires during installation:

Step 1: Connect the ground wire (**Black**);

Step 2: Connect all speaker wires and power antenna wire (**Blue**):

Left speaker

Right speaker

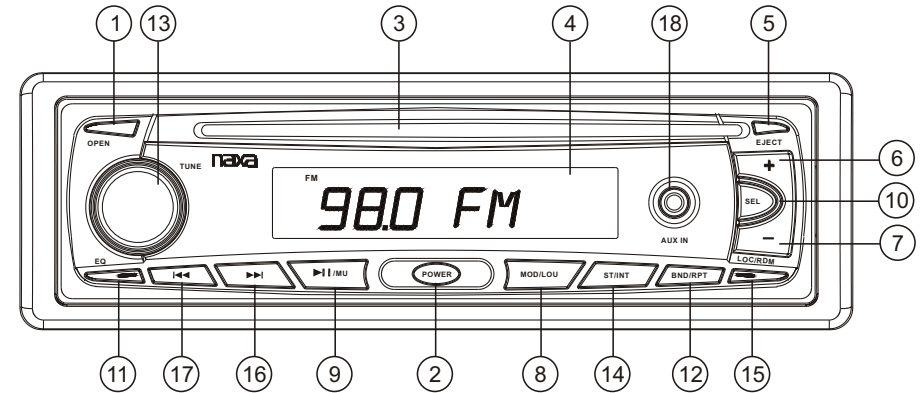
Front speaker: **White (+) White/Black (-) Gray (+) Gray/Black (-)**

Rear speaker: **Green (+) Green/Black (-) Violet (+) Violet/Black (-)**

Step 3: RCA Line Out (R- **Red**/ L-**White**).

Step 4: Connect Back up (**Yellow**) and Acc wire (**Red**)

## LOCATION AND FUNCTION OF CONTROLS



1. OPEN button
2. Power button
3. CD SLOT
4. LCD DISPLAY
5. EJECT key
6. Volume up/menu up(+), button
7. Volume down/menu down(-) button
8. MODE(MOD) button & LOUDNESS(LOU) button
9. Mute(MU) button & PAUSE,PLAY(▶) button
10. Audio select(SEL) button
11. EQ (Preset Equalizer) Button
12. BAND Button & Track Repeat ON/OFF(RPT) button
13. TUNING KNOB
14. STEREO/MONO button & Track INTRO ON/OFF (INT) button
15. LOC/DX button & Track Random ON/OFF (RDM) Button
16. Track up/fast forward button(▶▶)
17. Trackdown/reverse button(◀◀)
18. Auxiliary input jack

## General Controls

### 1. OPEN BUTTON

To remove the front panel from the main body, press the OPEN key, and the anti-theft LED indicator will keep flashing until the front panel is re-fixed to the main body.

### 2. POWER ON/OFF

In power off (ACC on) mode, turn on the unit by pressing the POWER button on the front panel. You can also turn on the unit by inserting a disc into the CD slot. It will start playing the first track on the disc. Press the POWER button to turn off the unit.

### 3 & 4. VOLUME UP(+)/DOWN(-) BUTTONS

Press the volume UP(+) or DN(-) button to raise or lower the volume level during playback. Both buttons are also used to adjust the settings for Bass, Treble, Balance, Fader, when you are in those audio modes.

### 5. MUTE ON/OFF BUTTON

Press the mute (MU) button to turn off the sound temporarily. Press it again to resume listening.

### 6. AUDIO FUNCTION AND MENU SELECT/ADJUST

1) Audio mode select and adjustment:

Press the SEL button repeatedly to cycle through four audio modes:

-> VOLUME -> BASS -> TREBLE -> BALANCE -> FADER

After selecting a certain audio mode, you can adjust the setting for Bass, Treble, Balance, fader by pressing the UP(+) or DN(-) button.

The control mode of E.VOL is operated with following numeric display.

- VOL: (MIN)00, 01,.....45, 46(MAX).

- BASS/TREB: -6, -5,.....,00,....5,6

- BAL: 9L, 8L,.....,00,....8R,9R

- FAD: 9F,8F,.....,00,....8R,9R

In each mode, the waiting time is about 3 seconds before it returns to the last display mode of RADIO or CDP mode.

When the unit is power off, the time will show on display, and then press and hold the SEL button, and press the >>I and I<< button to adjust the time.

### 7. EQ BUTTON

Press the EQ button to access the preset equalizer mode. Press it repeatedly to choose EQ OFF, or 4 preset equalizer curves: FLAT, CLAS, ROCK, POP. The audio output will change correspondingly.

### 8. LOUDNESS BUTTON

Pressing and holding the LOU button will activate LOUDNESS function for enhanced bass sound at low levels. Pressing and holding it again will cancel loudness effect.

## TROUBLE SHOOTING

Before using the check list please make all the connections first.

If you still have questions after going through the checklist, please consult your local customer service representative.

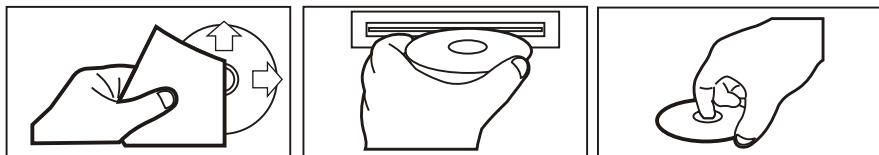
PROBLEM	CAUSE	SOLUTION
No power	The car ignition is not on.	If the power supply is properly connected to the car, switch the ignition key to " ACC "
	The fuse is blown	Replace the fuse
Disc cannot be loaded or ejected	Another CD is present in the player	Remove CD in the player, then insert a new one with label face up
	Disc incorrectly inserted upside-down	Insert the CD with label face up
	CD is extremely dirty or defective	Clean the CD or try a different CD
	Temperature inside the car is too high	Give enough time for the temperature in the vehicle to cool down.
No sound	Condensation	Turn off the player for at least an hour, then try again.
	Volume is too low	Adjust volume to desired level
	Wiring is not properly connected	Check the wiring connection
Sound skips	The installation angle is more than 30 degrees	Adjust the installation angle to less than 30 degrees
	CD is extremely dirty or defective	Clean the CD or try a different CD
The radio does not work	The antenna cable is not connected	Insert the antenna cable firmly

## CARE FOR USING CD'S:

About CD-R/CD-R/W discs:

In addition to commercially-recorded audio CD's, this unit can play CD-R and CD-R/W discs. In some cases, particularly when recorded on older CD burners, some CD-R and CD-R/W discs may not play. Also, whenever you are recording a CD for playback in this receiver, it is recommended that you record at 24x or slower speed for CD-R and 4x or slower for CD-R/W to achieve higher signal quality and better playback performance.

1. To keep the disc clean:  
Do not attach any sticker or adhesive tape on the disc.  
Handle the disc by its edge to keep the disc clean and do not touch the surface.  
Before playing a disc, wipe it off with a clean, dust-free cleaning cloth.  
Wipe the disc outwards from the disc center.
2. When one has already been inserted. Doing so may damage the unit. Insert a disc with labeled surface up, or it will damage the unit.
3. Do not expose the disc to direct sunlight or nearby heat sources such as heating vents, caliduct which can cause the disc to warp.  
Do not leave disc in a car if it is parked in direct sunlight as that will lead to a considerable rise in the temperature inside the car.
4. Do not use any secondhand or rented disc, usually, there is glue on the surface of those discs, it will stop the unit working and damage it.
5. Always store the disc in its case for protection. Scratched up discs will produce poor sound performance and cause CD player to skip.
6. On rainy days, or in wet areas, moisture may form on the disc or the optical parts, The playback may not be possible. If moisture forms on the disc, wipe it off with a soft cloth. If moisture forms on the optical parts of the unit, allow the unit to sit for about one hour with power on.
7. Do not use solvents such as benzine or thinners. Commercially available cleaners or anti-static spray will damage the unit.



## 9. MODE BUTTON

Press the MODE(MOD) button to select the CDP (if disc is loaded into the disc slot), RADIO or AUX mode.

## Tuner Controls

### 1. BAND BUTTON

In radio mode, press the BAND(BND) button switches the receiver from AM to FM or vice versa. The icon of the selected band will be visible on the display.

### 2. TUNING CONTROL

Rotate this knob at radio mode to select the desired radio broadcasting station. The selected frequency will appear on the LCD display.

### 3. ST/MON BUTTON (This operation is effective on FM reception only.)

During radio mode, press this button to change between mono and stereo modes. The character ST will appear on the LCD display while there is a strong signal from an FM station that is broadcasting in stereo. Mono improves the reception of the distant stereo FM stations.

### 4. LOC/DXBUTTON (This operation is effective on FM reception only.)

In RADIO mode, press the LOC button toggles between local or distant FM reception. Pressing LOC will improve reception in some areas where the signal is too strong. LOC will appear on the LCD display indicating you are in the local reception mode. Press it again to release it to improve distant reception when you are located in an area with a weak signal.

## Disc Playback Controls

### 1. TO LOAD/UNLOAD DISC

Insert a disc into the disc slot with label surface up, it will automatically play the first track in the disc several seconds later.  
Press the EJECT button to eject the loaded disc.

### 2. TO SELECT NEXT OR PREVIOUS TRACK

In disc playback mode, press the >>| button to play the next track.  
Press the |<< button to play the previous track.

### 3. TO FAST FORWARD OR REVIEW

In disc mode, press and hold the >>| or |<< button to fast forwards or fast reverse. Releasing them starts playback at the location.

### 4. INTRO ON/OFF BUTTON

During CD playback process, press the INT button to activate or cancel the CD track scan mode.  
During INTRO on, it begins playing the first 10 secs. section of each song, until the last song is played. It stops the CD track scanning and begins playing the enter track when the INT button is pressed again.

### 5. RPT ON/OFF

During CD playback process, press the RPT button to activate or cancel CD track repeat play mode.  
During RPT on, it repeats the playing track of the current disc.

### 6. RDM ON/OFF

During CD playback process, press the RDM button to activate or cancel track random play mode.  
When RDM function is selected, all tracks on the disc will play in random order.

### 7. TO PLAY/PAUSE TRACK

In disc playback process, press the >|| button to suspend the playback, press again to resume normal playback.

## PRECAUTIONS AND MAINTENANCE

CAUTION: Do not install the detachable panel before connecting the wire.

1. The unit is designed for negative terminal of the battery which is connected to the vehicle metal. Please confirm it before installation.
2. During the radio or CDP mode, if you drop the front panel, the unit will automatically turn off.
3. If the car interior is extremely hot, as after being parked in the sun, do not use the player until the car has been driven for a while to cool off the interior.
4. Store the detachable panel in its protective casing for safe keeping.
5. To remove or install the front panel, see the illustration below.

